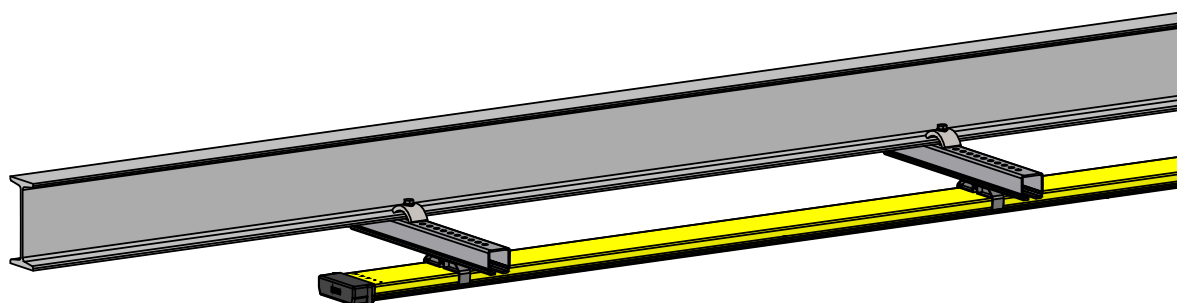
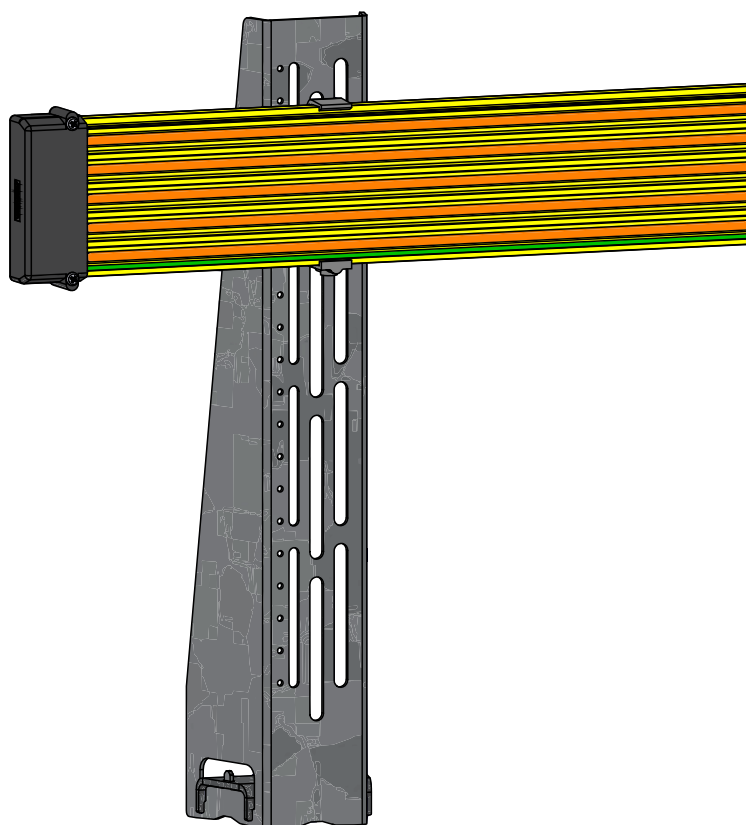




The animations do not replace the Installation Instruction. Please also refer to our Technical Documentation (“MV0831-0006” and “MV0831-0009”)!

**NOTICE!**

**MultiLine 0831 Conductor Rail System (horizontal operation and vertical operation)**



Please click the hyperlink or scan the code to start each animation:

**MultiLine 0831 Overview:**

[MOV0831-0001](#)



**Console Assembly:**

[MOV0800-0002](#)



**Console Aligning:**

[MOV0800-0003](#)



**Hanger Clamp and Anchor Point Assembly (horizontal operation):**

[MOV0831-0002](#)



**Hanger Clamp and Anchor Point Assembly (vertical operation):**

[MOV0831-0003](#)



**Power Feed Mounting:**

[MOV0831-0004](#)



**Conductor Rail Clipping and Connecting:**

[MOV0831-0005](#)



**Fall Arrest Device (vertical operation):**

[MOV0831-0006](#)



**End Caps Assembly:**

[MOV0831-0007](#)



**End Feed Assembly:**

[MOV0831-0008](#)



**Current Collector Tolerances:**

[MOV0831-0009](#)



**Tightening the Anchor Point Screw:**

[MOV0831-0010](#)



---

Notes:

**Conductix-Wampfler GmbH**  
Rheinstraße 27 + 33  
79576 Weil am Rhein - Märkt  
Germany

Phone: +49 (0) 7621 662-0  
Fax: +49 (0) 7621 662-144  
[info.de@conductix.com](mailto:info.de@conductix.com)  
[www.conductix.com](http://www.conductix.com)



Importer for the United Kingdom:  
**Conductix-Wampfler Ltd.**  
1, Michigan Avenue  
Salford  
M50 2GY  
United Kingdom

Phone: +44 161 8480161  
Fax: +44 161 8737017  
[info.uk@conductix.com](mailto:info.uk@conductix.com)  
[www.conductix.com](http://www.conductix.com)