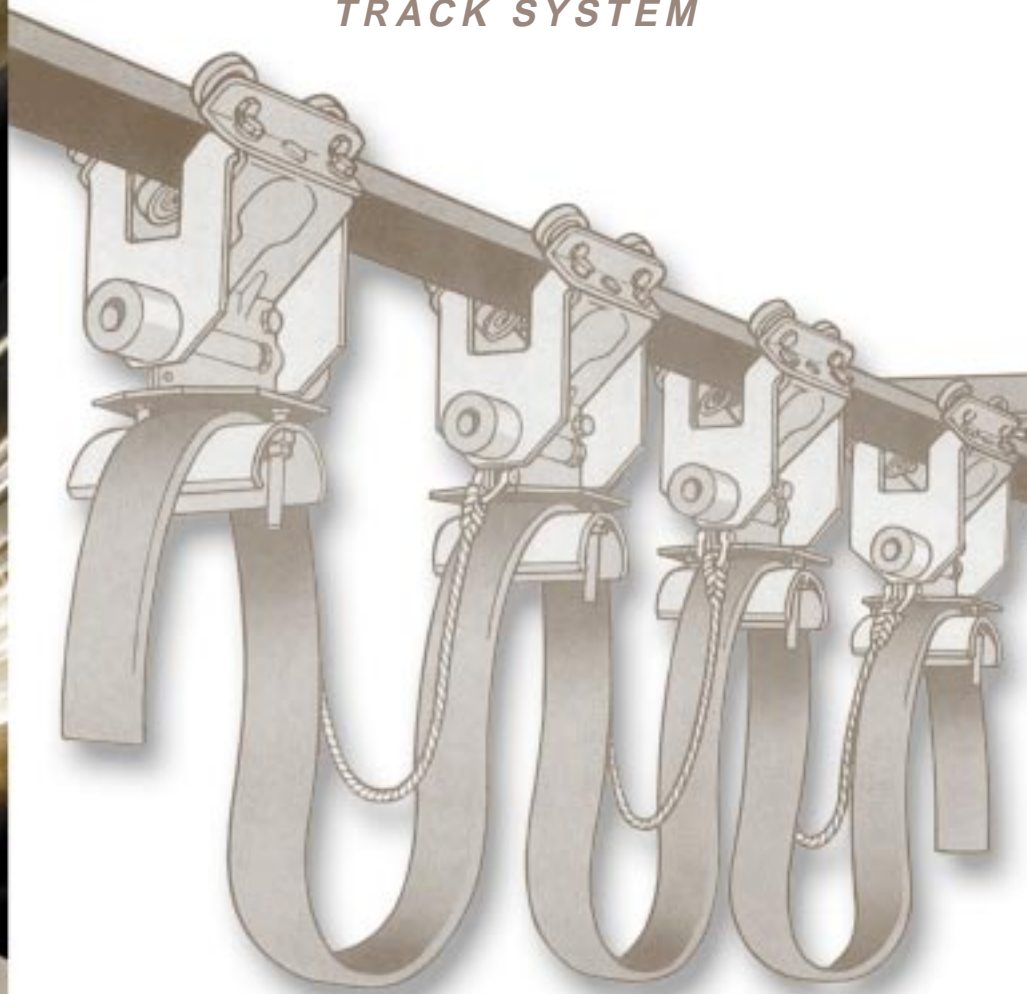


SYSTEM 40

DIAMOND SHAPED
TRACK SYSTEM



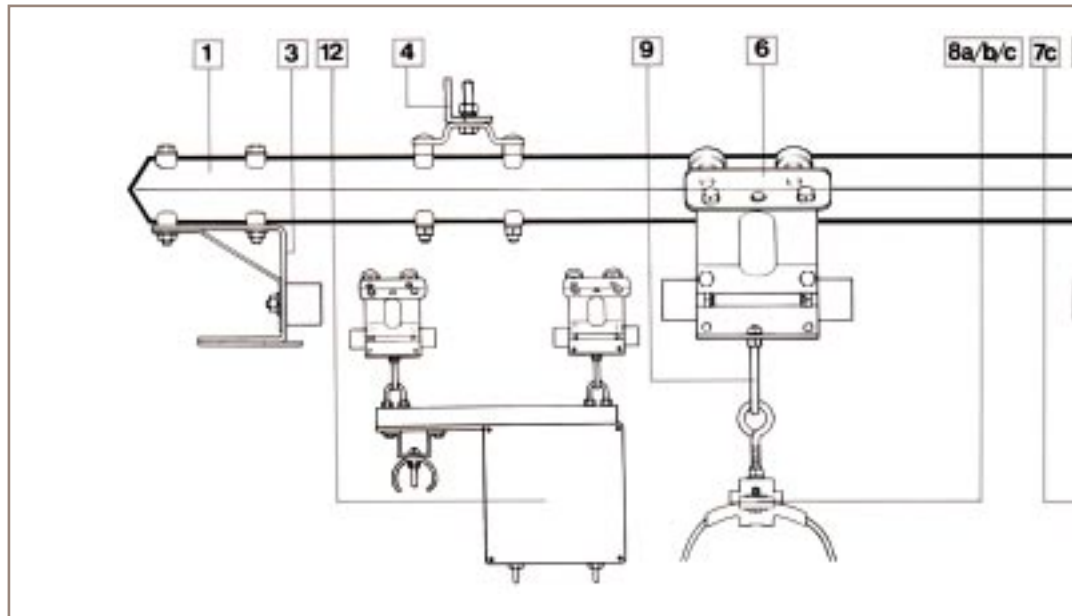
- 40kg capacity per trolley
- Ideal for dusty environments
- Strong mechanical design enables systems up to 300m long with a single tow trolley
- Can incorporate track switching facility
- Supplied in straight lengths or curved to 1m radius
- Can be used as a mechanical handling system for individual loads
- Alternatively available in stainless steel
- Has a maximum speed of 100m per minute in straight runs

CONDUCTIX
INSUL 8

© DELACHAUX GROUP

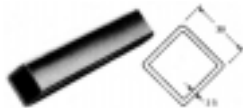


Certificate No. FM 21334



PART/PART NO.	DIMENSIONS (mm)	DESCRIPTION
---------------	-----------------	-------------

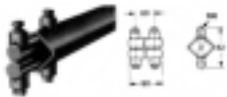
① Track section



No. 3400

Hot rolled seamless mild steel tube galvanised to BS 729 supplied in 3.74m lengths.
Weight: 9.1kg p.lgth

② Joint connector



No. 3401

Zinc plated mild steel joint pins 'V' blocks and fastening screws.
Weight: 0.28kg p.set

③ End stop / End anchor



No. 3402

Mild steel fabrication, polyester coated, complete with neoprene buffer, zinc plated steel fittings.
Weight: 0.42kg

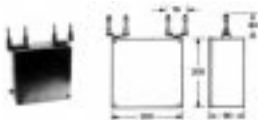
④ Top support bracket



No. 3403

Mild steel pressing polyester coated, zinc plated steel fittings.
Weight: 0.16kg

⑤ Connection box

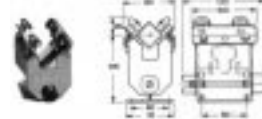


No. 3462

Enamel finish steel junction box, plated steel fittings.
Weight: 2.56kg

PART/PART NO.	DIMENSIONS (mm)	DESCRIPTION
---------------	-----------------	-------------

⑥ Trolley



No. 3411 & 3412

Assembled from polyester coated mild steel pressings.
3411 - dust protected bearings.
3412 - Fully sealed precision bearings.
Weight: 1.05kg

⑦a Cable former 25 x 76

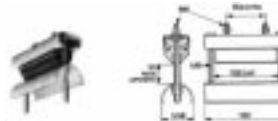


No. 2123

Polyester coated aluminium former, plated steel screws
Weight: 0.05kg

(for use with cables up to 4mm²)

⑦b Cable former 25 x 130



No. 2124

Polyester coated aluminium former, plated steel screws
Weight: 0.032kg

(for use with cables up to 4mm²)

⑦c Cable former 50 x 76



No. 2125

Polyester coated aluminium former, plated steel screws
Weight: 0.12kg

(for use with cables up to 25mm²)

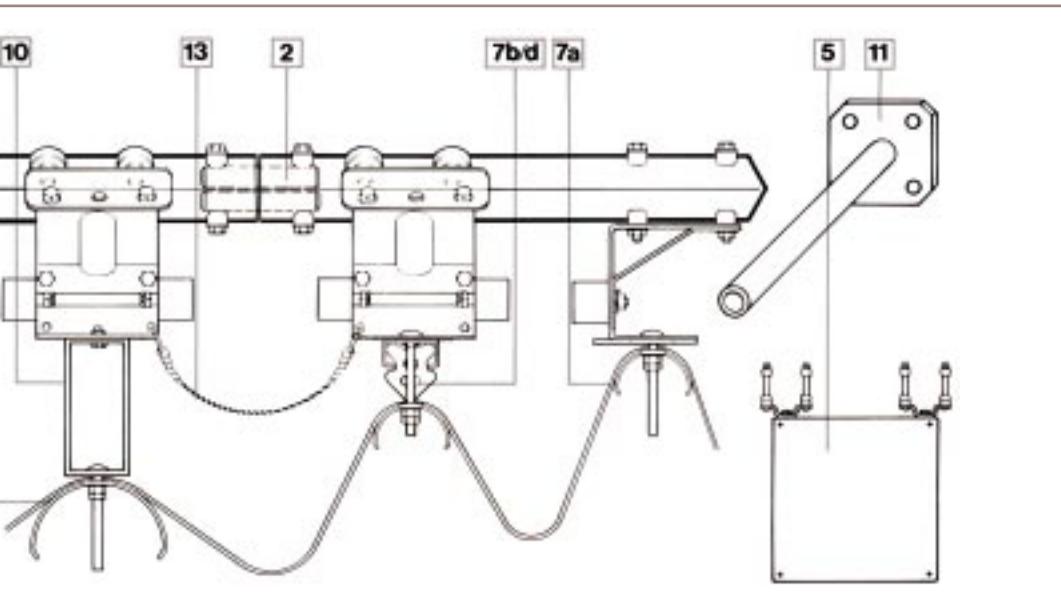
⑦d Cable former 50 x 130

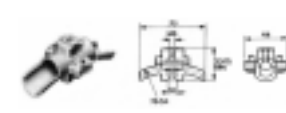
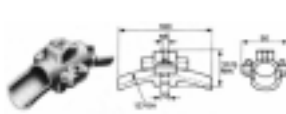

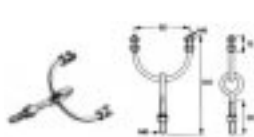




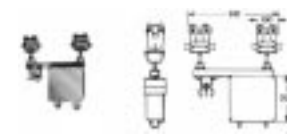


No. 2126

Polyester coated aluminium former, plated steel screws
Weight: 0.44kg

(for use with cables up to 25mm²)



PART/PART NO.	DIMENSIONS (mm)	DESCRIPTION
8a Cable former 10-16mm dia.  No. 2234		Polyester coated, zinc/aluminium alloy die casting, plated steel screws. Weight: 0.06kg
8b Cable former 17-25mm dia.  No. 2235		Polyester coated, zinc/aluminium alloy die casting, plated steel screws. Weight: 0.1kg
8c Cable former 26-36mm dia.  No. 2236		Polyester coated, zinc/aluminium alloy die casting, plated steel screws. Weight: 0.2kg
9 Round cable trolley adaptor  No. 2252		Plated steel Weight: 0.02kg
10 Towing socket  No. 2141		Polyester coated, aluminium, plated steel screws. Weight: 0.16kg

PART/PART NO.	DIMENSIONS (mm)	DESCRIPTION
11 Towing arm  No. 1142		Zinc plated steel fabrication. Weight: 0.5kg
12 Pendant control box  No. 3461		Enamel finish steel junction box supported from trollies, plated steel fittings. Weight: 5.35kg
13 Tow rope and rope socket  No. 2443 (rope), 4104 (shackle)		6mm dia. Polyester rope and rope shackles, length to order Weights: Rope p.m. 0.014kg Shackle 0.014kg
14 Drilling jig  No. 3499		Jig for drilling holes in support brackets and joint connector. Weight: 2.8kg

In addition to this standard range, we design and manufacture systems to meet specific requirements.

In common with most of our range, these products are available from stock.

We also manufacture, supply and install safe conductor bar systems up to 7500 Amps and festoon systems up to 400kg.

Supported by a range of cable reeling drums and slip-ring assemblies.



POWER AND DATA TRANSFER

HEADQUARTERS

DELACHAUX S.A.

119 Avenue Louis Roche -BP152
92231 Gennevilliers Cedex
FRANCE
Tel: +33 (0) 1 46 88 15 00
Fax: +33 (0) 1 46 88 15 01
www.delachaux.fr
delachomgt@delachaux.fr

CONDUCTIX OPERATIONS

119 Avenue Louis Roche -BP152
92231 Gennevilliers Cedex
FRANCE
Tel: +33 (0) 1 46 88 15 13
Fax: +33 (0) 1 46 88 15 10
conductix@delachaux.fr
www.conductix.com

Subsidiary companies

AUSTRALIA

CONDUCTIX Pty. Ltd. (Insul-8)

Dandenong
Tel: + (61) 3 97 06 88 44
Fax: + (61) 3 97 94 92 98
info@conductix.com.au
www.conductix.com.au

BENELUX

CONDUCTIX Benelux

Brussels
Tel: + (32) (0) 2 469 25 60
Fax: + (32) (0) 2 469 29 35
info@conductix.be
www.conductix.be

CANADA

CONDUCTIX Corp. (Insul-8)

St Jérôme
Tel: + (1) 450 565 9900
Fax: + (1) 450 432 6985
infoCanada@conductix.us
www.conductix.us

CHINA

CONDUCTIX Ltd (Han Fa)

Wuhan
Tel: + (86) 27 83 49 99 88
Fax: + (86) 27 83 49 99 89
info@conductix.cn
www.conductix.cn

FRANCE

CONDUCTIX (Delachaux)

Belley
Tel: + 33 (0) 4 79 42 50 00
Fax: + 33 (0) 4 79 42 50 05
infoconductix@delachaux.fr
www.conductix.fr

Gennevilliers
Tel: + 33 (0) 1 46 88 15 23
Fax: + 33 (0) 1 46 88 15 21
infoconductix@delachaux.fr
www.conductix.fr

GERMANY / AUSTRIA

CONDUCTIX GmbH

Offenbach / Main
Tel: + (49) 69 98 40 23 0
Fax: + (49) 69 98 40 23 99
info@conductix.de
www.conductix.de

ITALY

CONDUCTIX Srl (Comes)

Milan
Tel: + 39 (0) 39 607 431
Fax: + 39 (0) 39 607 43292
info@conductix.it
www.conductix.it

Turin

Turin
Tel: + 39 (0) 11 45 09 007
Fax: + 39 (0) 11 42 41 008
info@conductix.it
www.conductix.it

MEXICO

CONDUCTIX S.de R.L. de C.V. (Insul-8)

Monterrey
Tel: + (52) 811 090 9013
Fax: + (52) 811 090 9014
infoMexico@conductix.us
www.conductix.com-mx

UNITED KINGDOM

CONDUCTIX Ltd (Insul-8)

Salford
Tel: + (44) 161 848 01 61
Fax: + (44) 161 873 70 17
info@conductix.co.uk
www.conductix.co.uk

UNITED STATES

CONDUCTIX, Inc. (Insul-8)

Omaha, NE
Tel: + (1) 402 339 9300
Fax: + (1) 402 339 9627
info@conductix.us
www.conductix.us

Harlan, IA
Tel: + (1) 712 755 2246
Fax: + (1) 402 952 9381
info@conductix.us
www.conductix.us

Countries where we are represented :

Algeria, Argentina, Austria, Bahrain, Bolivia, Brasil, Bulgaria, Camerouns, Chile, China, Colombia, Congo, Ivory Coast, Croatia, Czechia, Denmark, U.A.S., Ecuador, Egypt, Finland, Gabon, Greece, Guatemala, Guinea, Honduras, Hungary, Indonesia, India, Irak, Iran, Ireland, Israel, Japan, Jordania, Korea, Kuwait, Lebanon, Madagascar, Malaysia, Mali, Mauritania, Mexico, Morocco, Netherlands, New Zealand, Niger, Nigeria, Norway, Pakistan, Panama, Paraguay, Peru, Philippines, Poland, Portugal, Rumania, Russia, Saudi Arabia, Senegal, Singapore, Slovakia, South Africa, Spain, Sweden, Switzerland, Syria, Thailand, Tunisia, Turkey, Uruguay, Venezuela, Viet-Nam...